



KIT LUBE



PUMPS



METERS



NOZZLE METERS



NOZZLE



WASTE OIL EQ.

OIL OPEN HOSE REEL

FEATURES

- HEAVY DUTY SPRING
- HAND PROTECTION (ON REQ.)
- LONG LASTING
- STEEL HUB

EN.

The Piusi OPEN HOSE REEL for oil, entirely Made in Italy, includes a built-in heavy duty spring. It can be installed on a wall or inside a closed cabinet, suitable for any kind of oil.

PERFORMANCE

max
60 BAR

OPERATING PRESSURE

max
20 M
bound

HOSE LENGTH



HOSE REEL OPEN for OIL



PACKAGING

CODE	WEIGHT		PACKAGING			N. BOXES/ EUROPALLET	
	KG	LBS	MM	PCS/PALLET	PCS/BOX		
WITHOUT HOSE							
HN60151200A	14	30,8	550X200X540		1	12	20
HN60153800A	14	30,8	550X200X540		1	12	20
HN60201200A	14	30,8	550X260X540		1	12	20
WITH HOSE							
HA6010120B	16	35,2	550X200X540		1	12	20
HA6015120B	19	41,9	550X200X540		1	12	20
HA60201200A	25	55	550X260X540		1	12	20
HA60153400A	27	60	550X260X540		1	12	20
HA60101000A	25	55	550X260X540		1	12	20



FILTERING



OIL MONITORING



HOSE REEL



ACCESSORIES



MERCHANDISE

PIUSI[®]



AIR



ANTIFREEZE



BIODIESEL



DIESEL



FOOD



GASOLINE



GREASE



KEROSENE



OIL



AdBlue[®]



WATER

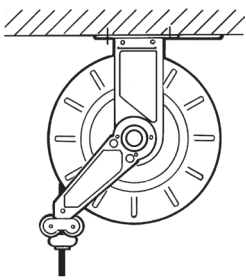


WINDSCREEN

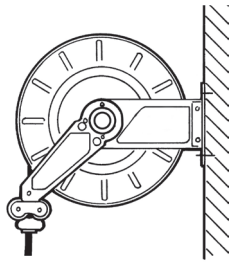
INSTALLATIONS

Different ways to install PIUSI's hose reels: they can be easily placed wherever you need them without any problem about functionality and safety. PIUSI's products are without a doubt designed to support your work in any condition.

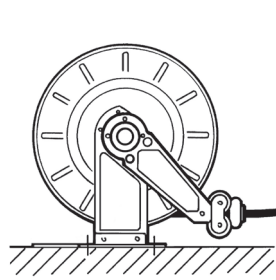
ROOF INSTALLATION



WALL INSTALLATION



GROUND INSTALLATION

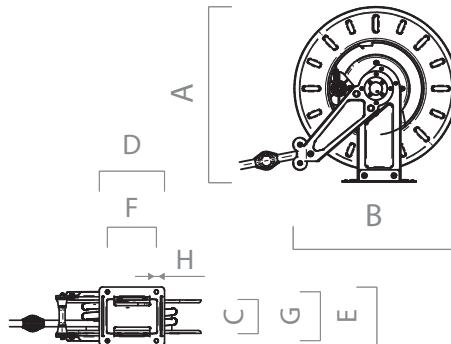


DIMENSIONS

MODEL OPEN HOSE REEL BIG OPEN HOSE REEL SMALL

A	495	475
B	460	460
C	152	102
D	200	150
E	246	196
F	150	150
G	200	150
H	12	12

HOSE REEL FRONT / SIDE



IN THE BOX

- REEL
- WALL MOUNT BRACKET
- INSTRUCTION MANUAL

DETAILS



4 ROLLS HOSE GUIDE



AUTOMATIC HOSE REELS



DIFFERENT INSTALLATIONS



STURDY DESIGN

MATERIALS

- BODY: CAST IRON
- HUB: SYNTHETIC STEEL
- TUBE: RUBBER

TECHNICAL DATA

CODE	DESCRIPTION	FLUIDS TYPE	HOSE	MAX OPERATING PRESSURE	PRESSURE DROP	INLET WITH SWIVEL	OUTLET HOSETAIL	HOSE MAX LENGHT BOUND	HOSE LENGHT
			BSP	BAR	BAR	BSP	BSP	M	M
WITHOUT									
HN60151200A	OPEN HOSE REEL 1/2" 15MT SMALL		1/2"	60	-	1/2" MALE	1/2" MALE	15	-
HN60153800A	OPEN HOSE REEL 3/8" 15MT SMALL		3/8"	60	-	3/8" FEMALE	3/8" FEMALE	15	-
HN60201200A	OPEN HOSE REEL 1/2" 20MT BIG		1/2"	60	-	1/2" MALE	1/2" MALE	20	-
WITH HOSE									
HA6010120B	OPEN HOSE REEL 1/2" + 10MT HOSE SMALL		1/2"	60	10 @ 30 L/MIN*	1/2" MALE	1/2" MALE	-	10
HA6015120B	OPEN HOSE REEL 1/2" + 15MT HOSE SMALL		1/2"	60	16 @ 30 L/MIN*	1/2" MALE	1/2" MALE	-	15
HA60201200A	OPEN HOSE REEL 1/2" + 20MT HOSE BIG		1/2"	60	25 @ 30 L/MIN*	1/2" MALE	1/2" MALE	-	20
HA60153400A	OPEN HOSE REEL 3/4" + 15MT HOSE BIG		3/4"	60	4,5 @ 30 L/MIN*	1" MALE	3/4" MALE	-	15
HA60101000A	OPEN HOSE REEL 1" + 10MT HOSE BIG		1"	60	2 @ 30 L/MIN*	1" MALE	1" MALE	-	10

(*) PRESSURE DROP FOR OIL 200 CST

OIL HOSE REEL

HOSE REEL

155