



DISPENSERS



PUMPS



METERS



NOZZLE



FILTRATION



FLUID MONITORING

# SELF SERVICE MC 2.0

## FEATURES

- STURDY STRUCTURE
- ALL-IN-ONE DISPENSER
- BUILT-IN LAN ADAPTER
- FRONT DOOR FOR EASY MAINTENANCE
- SSM 2.0 SOFTWARE REQUIRED
- IP55
- IDEAL FOR FUEL MANAGEMENT

The PIUSI SELF SERVICE MC 2.0 is a non-commercial fuel diesel dispenser able to fit any fleet management requirement. It requires the SSM 2.0 software to work. Equipped with 90 l/min continuous duty pump, it is suitable for any fleet dimension.

## PERFORMANCE

UP TO

**90 L/MIN**

FLOW-RATE

**AC**

CONTINUOUS DUTY

POWER

**± 0,5%**

ACCURACY

UP TO

**1000**

USERS



ELECTRONIC METER INTEGRATED



SELF SERVICE MC 2.0

## PACKAGING

CODE	WEIGHT		PACKAGING			N. BOXES / EUROPALLET	
	KG	LBS	MM	INCH	PCS/BOX	✕	
<b>COLUMN VERSION</b>							
FO074302B	75	165	1478X488X400	-	1	6*	4



HOSE REELS



ACCESSORIES



MERCHANDISE



AIR



ANTIFREEZE



AdBlue®



BIODIESEL



DIESEL



FOOD



GASOLINE



GREASE



KEROSENE



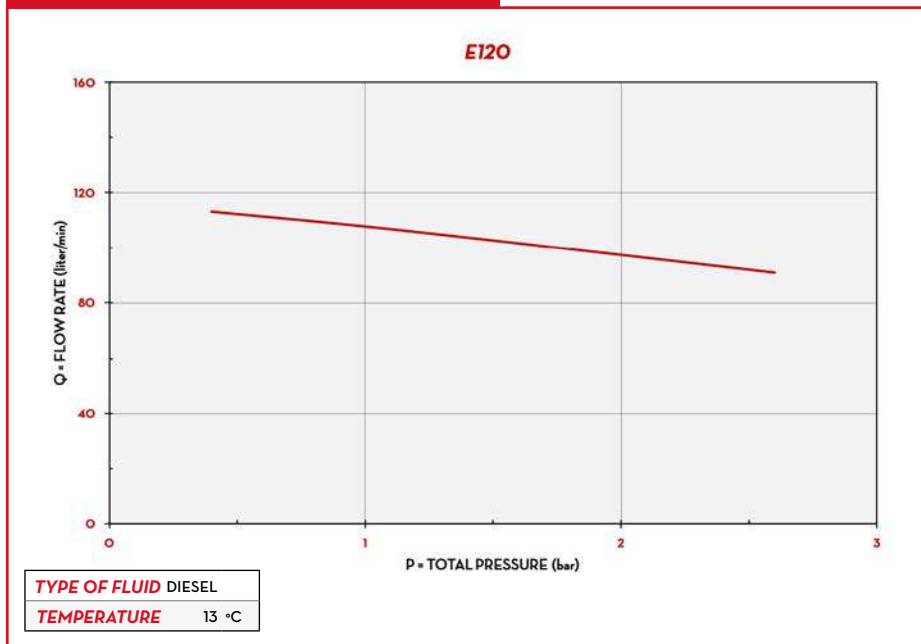
OIL



WATER



WINDSCREEN

**CHART****IN THE BOX**

- SELF SERVICE MC 2.0 UNIT
- DELIVERY HOSE
- AUTOMATIC NOZZLE
- INSTRUCTION MANUAL

- PUMP: E80/E120 PAG. 68
- METER: K600/3 PAG. 96
- NOZZLE: AUTOMATIC NOZZLE PAG. 118
- FILTER: WATER CAPTOR PAG. 128

**DETAILS**

WATER CAPTOR FILTER (pag. 128)



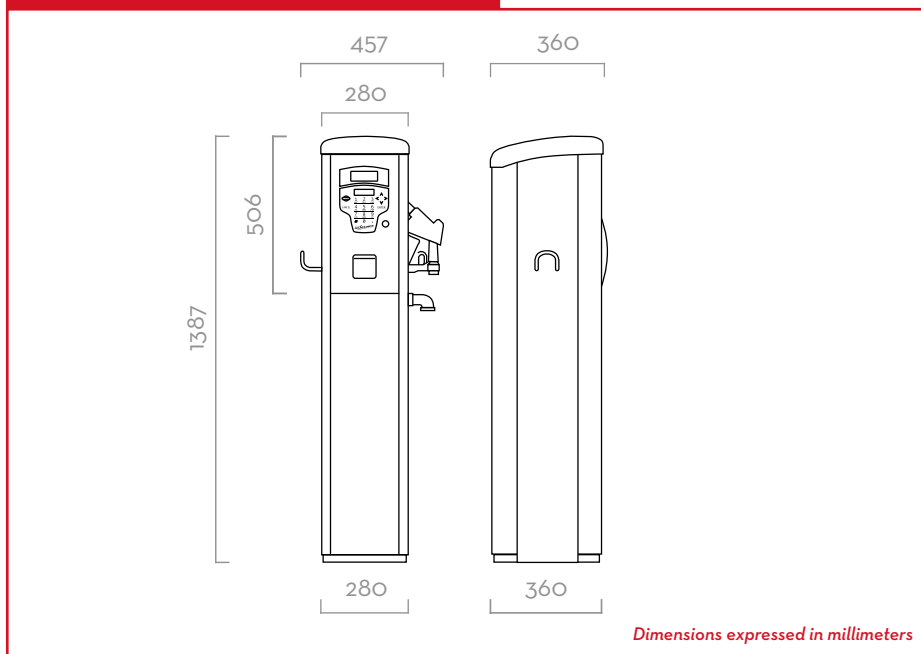
DRIVER &amp; VEHICLE KEY (n.i.)



SSM 2.0 SOFTWARE (pag. 152)



DATA TRANSFER SSM2.0 (pag. 154)

**DIMENSIONS****MATERIALS**

- **PUMPS:**  
E80 / E120 PAG. 68
- **METER:**  
K600/3 PAG. 96
- **NOZZLE:**  
AUTOMATIC NOZZLE PAG. 118
- **FILTER:**  
WATER CAPTOR PAG. 128

**TECHNICAL DATA**

CODE	DESCRIPTION	FLUIDS TYPE	FLOW-RATE		VOLTAGE			PUMP TYPE	METER TYPE	NOZZLE TYPE	FILTER		INLET BSP	SELF SERVICE MANAGEMENT 2.0
			L/MIN	GPM	AC V/HZ DC VOLT	POWER WATT	AMP. MAX.				H2O FILTER	FILTERING CAPACITY		
<b>COLUMN VERSION</b>														
FO074302B	SELF SERVICE 100 MC 2.0	D	90	24	230/50	1150	5,7	E120	K600	AUT.	YES	30µ	1" 1/2	REQUIRED